

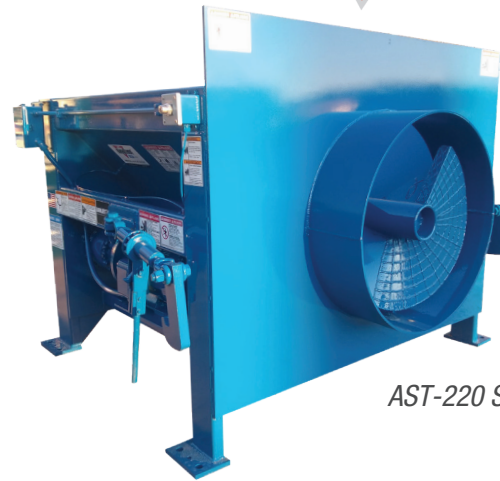
# AUGER COMPACTORS

## AST SERIES

Stationary Auger Compactors



AST-440  
Twin-Auger



AST-220 Single Auger



### Auger Compactor Features

- ▼ *Increased payloads can reduce transportation costs by up to 50% when compared to other applications*
- ▼ *Minimize waste storage space on site*
- ▼ *There are no cavities behind the auger mechanism where waste can accumulate*
- ▼ *Easy to use and maintenance friendly*
- ▼ *Always moves material forward*
- ▼ *The short distance behind the charge chamber, combined with a shorter deck height, makes the AST-220 and AST-440 ideal for dock applications*
- ▼ *Whisper-quiet operation*
- ▼ *Eliminates all hydraulic oil*



AST-320 Single-Auger

### The Worldwide Compaction Leader

Marathon® Equipment is known throughout the world as one of the leading manufacturers of quality on-site waste compaction products. The RamJet® brand has been the industry standard for quality and innovation for more than 50 years, and includes stationary and self-contained compactors, compaction containers, apartment and high-rise compactors, pre-crushers, auger-style compactors, transfer systems, and a wide array of options for virtually any application.



Environmental  
Solutions Group®

A DOVER COMPANY

## AST-220

Single-Auger Stationary Compactor

### AST-220 Features

- ▼ Easy to use and maintenance-friendly
- ▼ Always moves material forward
- ▼ Higher payloads on materials such as OCC
- ▼ Low deck height is better adapted for dock installations
- ▼ Whisper-quiet operation
- ▼ Eliminates all hydraulic oil
- ▼ Heavy-duty construction allows for the processing of tough materials such as skids and pallets



AST-220  
Single-Auger

### AST-220 Benefits & Specifications

Marathon® AST-220 Auger Compactors are easy to use and maintenance-friendly. They have no hydraulics and fewer moving parts than conventional compactors. The auger delivers superior compaction, which results in fewer container pulls, and reduced facility traffic. The round opening holds material, which means less separation spillage than a conventional compactor. The AST-220 auger can be installed directly at a dock door, eliminating the need to go outside, resulting in labor and forklift savings, increased productivity, and employee efficiency. This durable, high-performance auger will provide years of dependable performance.

#### AST-220 Specifications

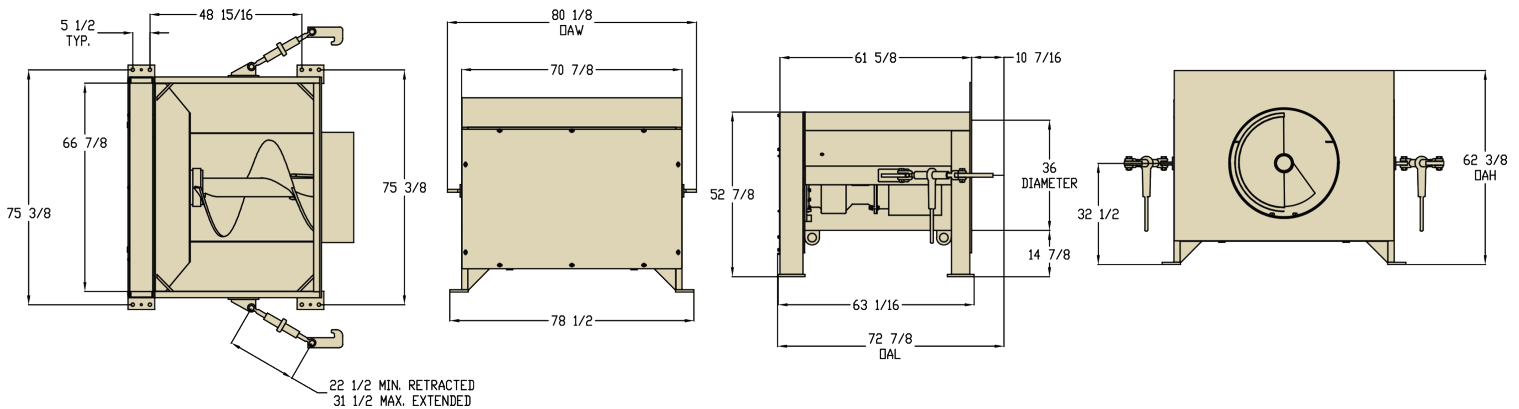
<b>Clear-Top Opening (L x W)</b>	51" x 66 7/8"	1295mm x 1699mm
<b>Weight</b>	4,250 lbs.	1928 kg
<b>Auger Diameter</b>	36"	900mm
<b>Auger Penetration</b>	11"	265mm

#### Performance Characteristics

<b>Auger Speed</b>	14 rpm
<b>Cycle Time</b>	8.5 seconds

#### Electrical Equipment

<b>Electric Motor 3/60/230-460</b>	20 hp	15kW
------------------------------------	-------	------



Pictures and mechanical diagrams in this literature are illustrative only and may not be to scale. Specifications are subject to change without notice in order to accommodate improvements to the equipment. Certified in compliance with ANSI standard Z245.2, all applicable OSHA Regulations. Products must be used only by trained operators in accordance with the Operator Manual, as well as applicable regulations, laws, and ANSI standards.

## AST-320

Single-Auger Stationary Compactor

### AST-320 Features

- ▼ Easy to use and maintenance-friendly
- ▼ Always moves material forward
- ▼ Whisper-quiet operation
- ▼ Eliminates all hydraulic oil
- ▼ Materials will not build up behind the auger
- ▼ Heavy-duty construction allows for the processing of materials such as skids and pallets



AST-320  
Single-Auger

### AST-320 Benefits & Specifications

Marathon® AST-320 Auger Compactors are easy to use and maintenance-friendly. They have no hydraulics and fewer moving parts than conventional compactors. The auger delivers superior compaction, resulting in fewer container pulls and reduced facility traffic. The round opening holds material, reducing separation spillage when compared to a conventional compactor. The AST-320 auger can be installed directly at a dock door, eliminating the need to go outside, which results in labor and forklift savings, increased productivity, and employee efficiency. This durable, high-performance auger will provide years of dependable performance.

#### AST-320 Specifications

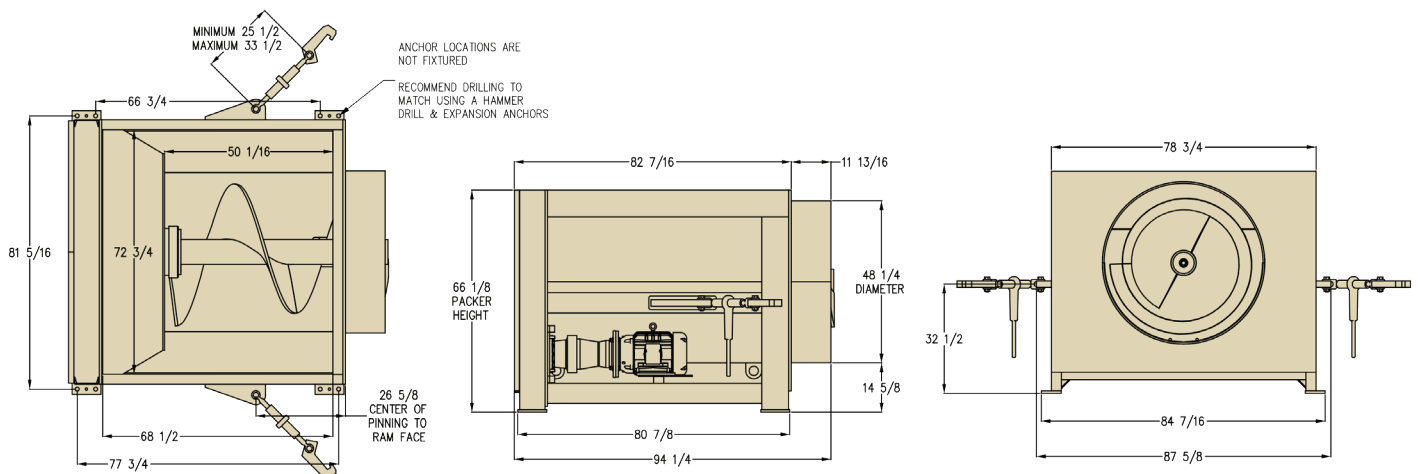
<b>Clear-Top Opening (L x W)</b>	68 1/2" x 72 3/4"	1740mm x 1848mm
<b>Weight</b>	6,950 lbs.	3152 kg
<b>Auger Diameter</b>	48"	1219mm
<b>Auger Penetration</b>	11"	265mm

#### Performance Characteristics

<b>Auger Speed</b>	10 rpm
<b>Cycle Time</b>	13 seconds

#### Electrical Equipment

<b>Electric Motor 3/60/230-460</b>	20 hp	15kW
------------------------------------	-------	------



Pictures and mechanical diagrams in this literature are illustrative only and may not be to scale. Specifications are subject to change without notice in order to accommodate improvements to the equipment. Certified in compliance with ANSI standard Z245.2, all applicable OSHA Regulations. Products must be used only by trained operators in accordance with the Operator Manual, as well as applicable regulations, laws, and ANSI standards.

## AST-440

Twin-Auger Stationary Compactor

### AST-440 Features

- ▼ Easy to use and maintenance-friendly
- ▼ Always moves material forward
- ▼ Higher payloads on materials such as OCC, wooden pallets/crates, and other dry waste
- ▼ Ideal for volume reduction of bulky items such as wooden furniture
- ▼ Whisper-quiet operation
- ▼ Eliminates all hydraulic oil
- ▼ Heavy-duty construction allows for the processing of materials such as skids and pallets



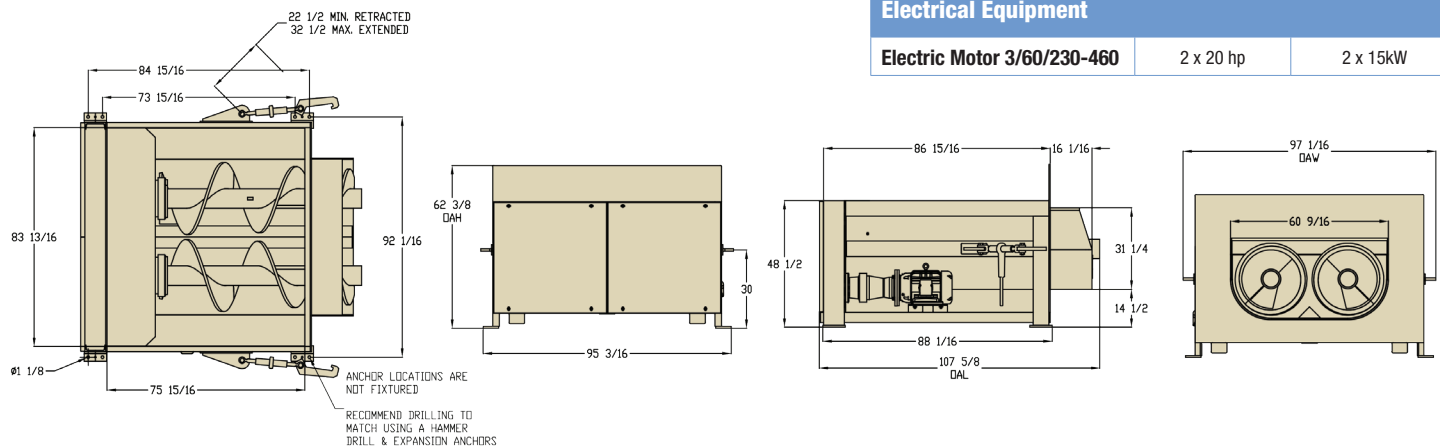
AST-440  
Twin-Auger

### AST-440 Benefits & Specifications

The AST-440 Twin-Auger Compactor is a heavy-duty machine specifically designed for compacting large volumes of waste material. As a Stationary Compactor, the machine is best suited for dry waste such as paper, cardboard, wooden pallets, etc. The twin 28" Auger has excellent throughput, and is able to process large bulky items without bridging in the hopper, making it ideal for large industrial sites and production lines.

#### AST-440 Specifications

<b>Clear-Top Opening (L x W)</b>	75 15/16" x 83 13/16"	1929mm x 2129mm
<b>Weight</b>	9,500 lbs.	4309 kg
<b>Auger Diameter</b>	2 x 28"	2 x 700mm
<b>Auger Penetration</b>	16"	400mm
<b>Performance Characteristics</b>		
<b>Auger Speed</b>	10 rpm	
<b>Cycle Time</b>	12 seconds	
<b>Electrical Equipment</b>		
<b>Electric Motor 3/60/230-460</b>	2 x 20 hp	2 x 15kW



Pictures and mechanical diagrams in this literature are illustrative only and may not be to scale. Specifications are subject to change without notice in order to accommodate improvements to the equipment. Certified in compliance with ANSI standard Z245.2, all applicable OSHA Regulations. Products must be used only by trained operators in accordance with the Operator Manual, as well as applicable regulations, laws, and ANSI standards.

# AUGER COMPACTORS



## Marathon® AST Auger Compactor Series

### Summary

#### Perfect for:

-  Logistic Centers
-  Large Car Retail Centers
-  Large Volumes of Cardboard
-  Pallets/Skids
-  Residential/Commercial Remodeling Companies
-  Furniture Distribution Centers

### Auger Compactor Series Model Comparison

Specifications	AST-220		AST-320		AST-440	
<b>Clear-Top Opening (L x W)</b>	51" x 66 7/8"	1295mm x 1699mm	68 1/2" x 72 3/4"	1740mm x 1848mm	75 15/16" x 83 13/16"	1929mm x 2129mm
<b>Weight</b>	4,250 lbs.	1928 kg	6,950 lbs.	3152 kg	9,500 lbs	4309 kg
<b>Auger Diameter</b>	36"	900mm	48"	1219mm	2 x 28"	2 x 700mm
<b>Auger Penetration</b>	11"	265mm	11"	265mm	16"	400mm
<b>Performance Characteristics</b>						
<b>Auger Speed</b>	14 rpm		10 rpm		10 rpm	
<b>Electrical Equipment</b>						
<b>Electric Motor 3/60/230-460</b>	20 hp	15kW	20 hp	15kW	2 x 20 hp	2 x 15kW

### A pallet's worst nightmare.

The heavy-duty construction of **Marathon** auger compactors makes them the perfect choice for tough waste such as skids, pallets, and wooden crates. Quick processing and superior volume reduction can save both time and money.



### Optional Round Opening Container Adapter

**Marathon** highly recommends using the optional Round Opening Container Adapter Plate. This option is quickly and easily added to a standard rectangular container opening, and helps to ensure clean container break-away with the least possible spillage of any stationary compactor.

#### We're Here To Help!

For detailed specifications, recommendations, or to request a site survey comparing various systems, contact the Marathon® Sales Team at [MarathonSales@MarathonEquipment.com](mailto:MarathonSales@MarathonEquipment.com)

#### Authorized Dealer:



**Marathon Equipment Company | P.O. Box 1798 | Vernon, AL 35592-1798**

**Learn more about Marathon Equipment: 800.633.8974 | [www.marathonequipment.com](http://www.marathonequipment.com)**